

Traverse Units



DISTANCES

A Traverse unit measures distance in increments of 0.01" on a scale graduated in divisions of 0.1" with a vernier. Standard scale lengths are 6", 12", 18", 24", 30", 36", 25cm, 50cm, 75cm, 100cm, but other lengths can be custom manufactured.

Linear movement is resisted by the friction of flat springs sliding on the scale, adjustable by a thumb screw which can be tightened to lock the probe at any location.

ANGLES

Angle of rotation of the probe, used for measuring flow direction, is measured in movements of 0.2° over a full 360° on a protractor graduated in 2° divisions for easy readability and a special large scale vernier.

Both vernier and protractor are friction loaded with adjustable springs and balls for easy, accurate rotation to any angle. The adjusting spring screw can be tightened by a thumb screw or an Allen wrench to lock the probe at any angle. The vernier is fully adjustable, permitting the zero angle point to be set at any time without loosening the probe in the Collet and losing the distance setting.

Scales

The Traverse unit is designed for maximum visibility even under conditions of poor lighting and awkward position. Verniers are designed to eliminate parallax errors and divisions are spaced widely enough so the linear scale can be read accurately to .01". Both scales are easily visible from the same point regardless of rotation of the probe. The flat surface of the scale provides a convenient reference surface for aligning a directional probe with the rig by placing a parallel between aligning block and scale.

Collets

Interchangeable Collets take from 1/16" to 3/8" diameter probes and lock them firmly in position without danger of damage to the probe stem.

Mounting

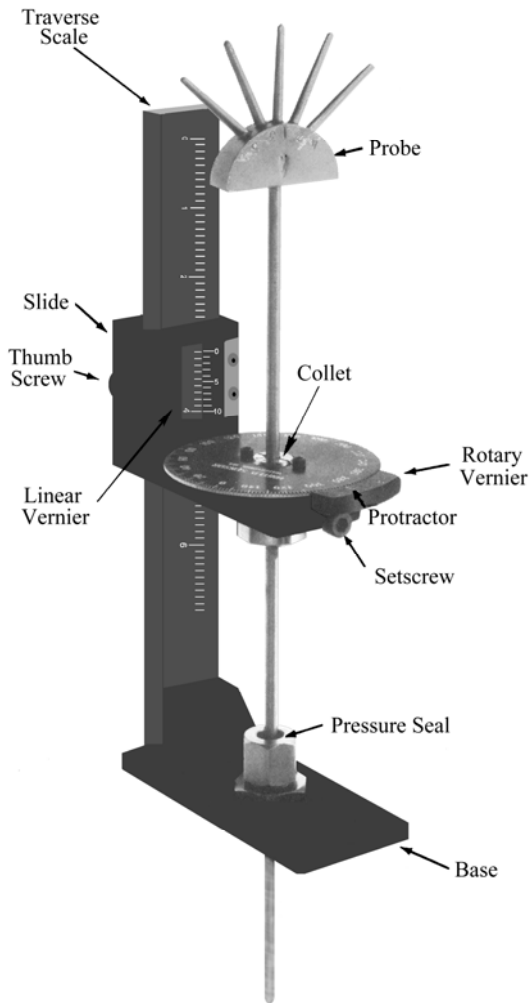
The unit may be mounted to a flat surface via two 1/4" bolts or to a Tapped Boss combined with a Pressure Seal. With surface mounting a Pressure Seal, which does not extend below the Mounting Plate, may also be provided. In either case, the integral Pressure Seal on Mounting Plate may be exchanged for different size probes.



TECHMARK

— Industriesteuerungen GmbH — <http://www.techmark.de> — e-mail: info@techmark.de —
Kirschstrasse 20 • D-80999 München • Telefon (+49-89) 89.26.57-0 • Telefax (+49-89) 89.26.57-33

Traverse Unit



Description	Ordering Part Number	Number Required
Mounting Base	USC-B-8261-1	1
Mounting Base Screws	USC-0304-25050	2
Scale	USC-B-8204-L	1
Slide	USC-B-8261-2	1
Thumb Screw	USC-8277-2	1
Flat Spring 1 1/4"	USC-A-8236-1	1
Flat Spring 3/4"	USC-A-8236-2	1
Linear Vernier	USC-8204-7	1
Rotary Vernier	USC-8204-6	1
Protractor	USC-8204-1	1
Protractor Screws	USC-0304-04025	1
Set Screw	USC-8277-1	1
Hub	USC-A-8281-2	1
Retainer	USC-A-8281-1	1

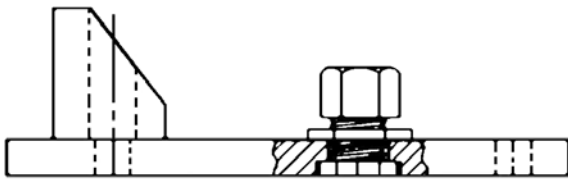


Figure 1
Pressure Seal for flat mounting

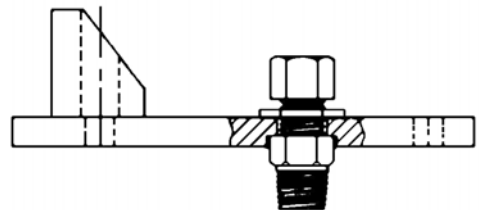


Figure 2
Combined pressure seal and
3/8" NPT tapped boss
mounting



TECHMARK

— Industriesteuerungen GmbH — <http://www.techmark.de> — e-mail: info@techmark.de —

Kirschstrasse 20 • D-80999 München • Telefon (+49-89) 89.26.57-0 • Telefax (+49-89) 89.26.57-33

How To Order

A complete Traverse Unit consists of:


* A Basic Assembly (Item 1), * A Collet (Item 2), * Mounting Seal (Choice of Item 3 or 4).

Specify Part Number to suit probe diameter.

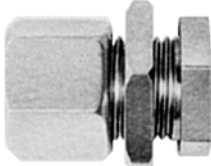
Item 1:

	Ordering Part No.	Length of Scale
Standard	C1000-6	6 inch
	C1000-12	12 inch
	C1000-18	18 inch
	C1000-24	24 inch
	C1000-30	30 inch
	C1000-36	36 inch
Metric	C1000-25cm	25 cm.
	C1000-50cm	50 cm.
	C1000-75cm	75 cm.
	C1000-100cm	100 cm.

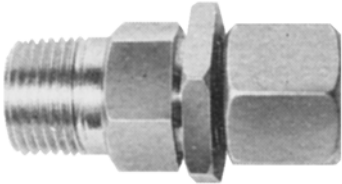
Item 2:

Collet	Ordering Part No.	Inside Diameter of Collet
	USC-SA82147-0-063	.063"
	USC-SA82147-00-093	.093"
	USC-SA82147-1-125	.125"
	USC-SA82147-7-156	.156"
	USC-SA82147-2-187	.187"
	USC-SA82147-3-250	.250"
	USC-SA82147-4-375	.375"

Item 3:

Pressure Seal for Flat Mounting	Ordering Part No.	Inside Diameter of Seal
	USC-SA8286-1-063	.063"
	USC-SA8286-2-093	.093"
	USC-SA8286-3-125	.125"
	USC-SA8286-4-156	.156"
	USC-SA8286-5-187	.187"
	USC-SA8286-6-250	.250"
	USC-SA8286-7-375	.375"

Item 4:

Combined Pressure Seal and 3/8" NPT Tapped Boss Mounting	Ordering Part No.	Inside Diameter of Seal
	USC-SA8286-8-063	.063"
	USC-SA8286-9-093	.093"
	USC-SA8286-10-125	.125"
	USC-SA8286-11-156	.156"
	USC-SA8286-12-187	.187"
	USC-SA8286-13-250	.250"
	USC-SA8286-14-375	.375"

* DC probes require special base and pressure seal due to curvature of sensing head. This should be specified when ordering.



TECHMARK

— Industriesteuerungen GmbH — <http://www.techmark.de> — e-mail: info@techmark.de —

Kirschstrasse 20 • D-80999 München • Telefon (+49-89) 89.26.57-0 • Telefax (+49-89) 89.26.57-33