



## Nylon Filter

## TMP F700

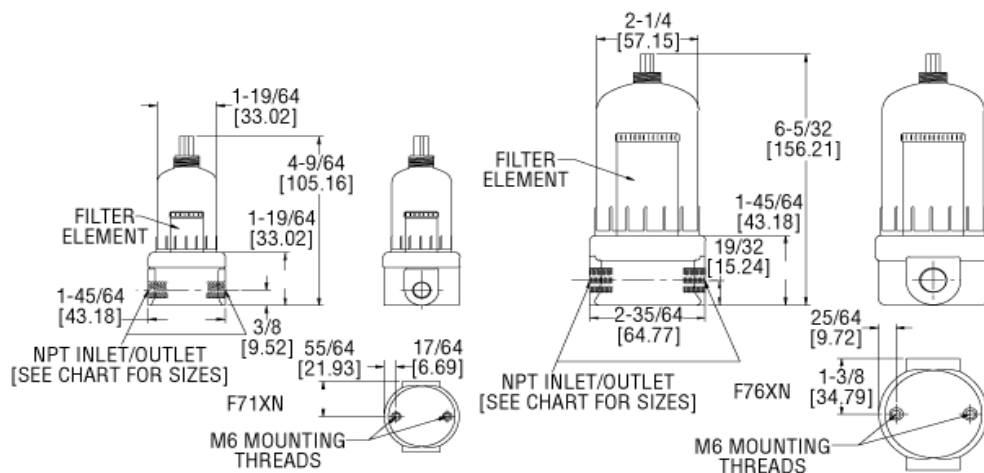
The TMP F700 Series of filters is ideal for the filtering of liquids or gasses in low pressure systems. The nylon construction is resistant to harmful components often found in sample streams. Replaceable filter elements remove particles and droplets as small as .01 micron with 95% efficiency.



### Specifications

Filtration Efficiency:	95% (removal of .01 micron particles).
Maximum Pressure:	100 psig (6.89 bar).
Maximum Temperature:	120°F (49°C).
Max. Flow at 100 psig (6.98 bar):	F710N, F711N: 23 SCFM (651 lpm); F760N, F761N: 27 SCFM (765 lpm).
Inlet & Outlet Ports:	F710N: 1/8" NPT; F711N, F760N: 1/4" NPT; F761N: 1/2" NPT.
Mounting:	In-line only.
Materials of Construction:	Complete nylon construction (head, bowl, internals) with a Fluorocarbon (FKM) o-ring seal.
Internal Volume:	F710N, F711N: 3.05 in <sup>3</sup> (50 cc [mL]); F760N, F761N: 10.5 in <sup>3</sup> (172 cc [mL]).
Weight:	F710N, F711N: .15 lb (.068 kg); F760N, F761N: .4 lb (.18 kg).

### Dimensions



All specifications are subject to change without notice



# TECHMARK

— Industriesteuerungen GmbH — <http://www.techmark.de> — e-mail: [info@techmark.de](mailto:info@techmark.de) —  
Kirschstrasse 20 • D-80999 München • Telefon (+49-89) 89.26.57-0 • Telefax (+49-89) 89.26.57-33