



## Low Air Velocity Transmitter

TMF-AVLV



### FEATURES/BENEFITS

- Sensing elements have been coated with an engineered conformal coating to ensure durability and longevity
- Field selectable ranges can be quickly configured without power to the unit

### APPLICATIONS

- VAV systems
- Building ducts
- Clean room systems

### DESCRIPTION

The **Series AVLV Low Air Velocity Transmitter** quickly and accurately measures air velocity or volumetric flow in imperial or metric units. Simultaneous current and voltage outputs on all models provide universal inputs to monitoring equipment while the output range, units, and 0-5/10 VDC output can be configured via local DIP switches. The optional integral display, or the portable remote tool, provide a convenient way to local monitor process values and configure the unit.

Models are available in 1% and 2% accuracy models and low velocity ranges to suit a variety of needs, and the optional BACnet MS/TP or Modbus® RTU/ASCII communication protocol allows units to be daisy-chained while providing access to all of the velocity and flow data, as well as additional information such as air temperature. The lower ranges in these high accuracy units allow for applications in quality intensive environments, such as the pharmaceutical industry.

### SPECIFICATIONS

<b>Service</b>	Clean air and non-combustible, compatible gases.
<b>Wetted Materials</b>	Consult factory.
<b>Range</b>	100, 200, 300, 400 FPM (0.5, 1, 1.5, 2 m/s); field selectable.
<b>Accuracy</b>	See chart.
<b>Temperature Limits</b>	32 to 122°F (0 to 50°C).
<b>Power Requirements</b>	24 VDC ±20% or 24 VAC ±20%.
<b>Humidity Limits</b>	5 to 95% RH, non-condensing.
<b>Output Signals</b>	4-20 mA, 0-5 VDC, 0-10 VDC.
<b>Response Time (90%)</b>	4 s, typical; 1 s at constant temperature.
<b>Zero and Span Adjustments</b>	Digital push buttons.
<b>Output Load Resistance</b>	Current output: 0 to 1100 Ω max.; Voltage output: Minimum load resistance 1 kΩ.
<b>Current Consumption</b>	60 mA max.
<b>Display</b>	5 digit LCD (optional).
<b>Electrical Connections</b>	Analog: Power and output: four wire removable European style terminal block for 16 to 26 AWG; Communication: Connections: BACnet MS/TP or Modbus® RTU/ASCII: three wire removable European style terminal block for 16 to 26 AWG.
<b>Supported Communication Baud Rates</b>	9600, 19200, 38400, 57600, 76800, 115200. (optional).
<b>Device Load</b>	1/8 unit load.
<b>Electrical Entry</b>	1/2" NPS thread. Accessory: Cable gland for 5 to 10 mm diameter cable, A-151.
<b>Enclosure Rating</b>	NEMA 4X (IP66).
<b>Mounting Orientation</b>	Flow direction must be parallel to the sensor tip.
<b>Weight</b>	6.0 oz (160 g).
<b>Agency Approvals</b>	BTL, CE.

All specifications are subject to change without notice.



# TECHMARK

— Industriesteuerungen GmbH — <http://www.techmark.de> — e-mail: [info@techmark.de](mailto:info@techmark.de) —

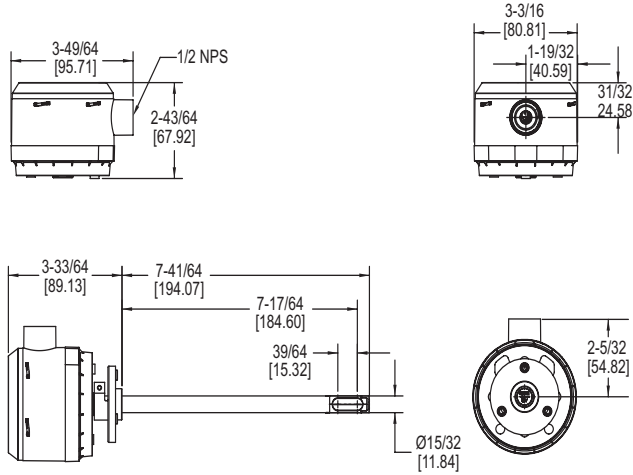
Kirschstrasse 20 • D-80999 München • Telefon (+49-89) 89.26.57-0 • Telefax (+49-89) 89.26.57-33



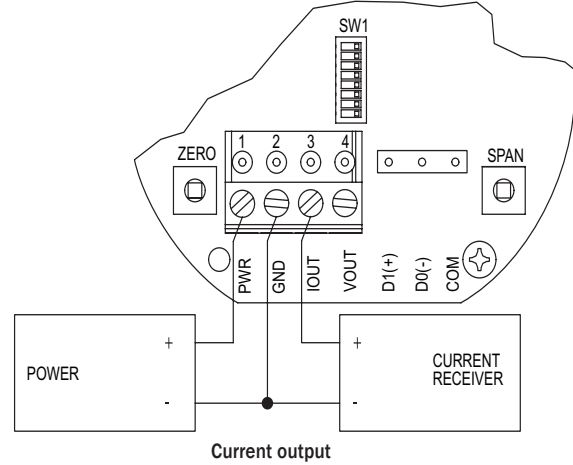
# Low Air Velocity Transmitter

# TMF-AVLV

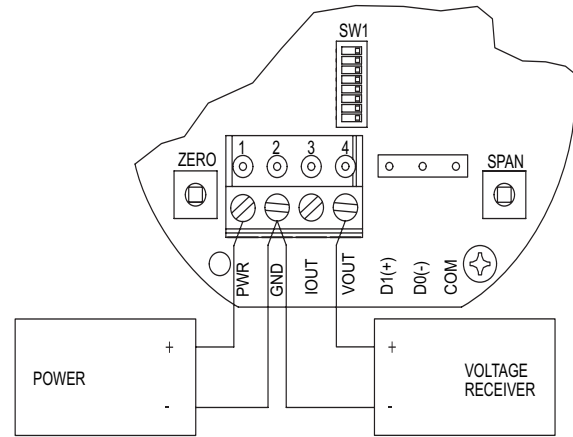
## DIMENSIONS



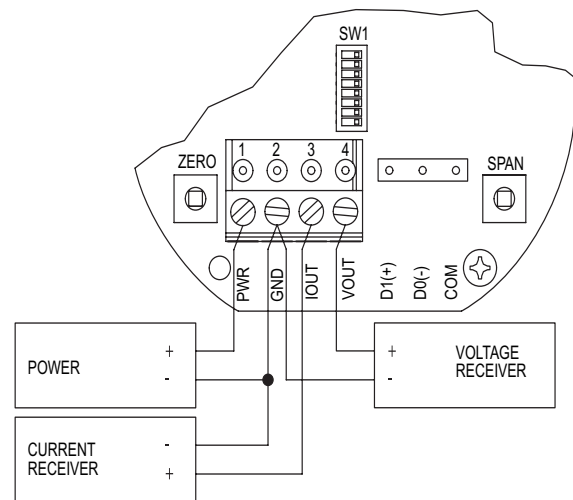
## WIRING DIAGRAM



Current output



Voltage output



Simultaneous current and voltage output

## HOW TO ORDER

Use the **bold** characters from the chart below to construct a product code.

**AVLV** -2 D A1 -LCD

### SERIES

**AVLV**: Low air velocity transmitter

### ACCURACY

-2: ± (2% of reading + 0.06 m/s)

-1: ± (1% of reading + 0.06 m/s)

### MOUNTING

D: Duct mount

### OUTPUT

A1: Analog universal (0-5 VDC, 0-10 VDC, 4-20 mA)

B1: Analog + BACnet MS/TP

M1: Analog + Modbus® RTU/ASCII

### OPTIONS

-LCD: LCD display

-FC: Factory calibration certificate

-NIST: NIST certificate

-GLD: Electrical cable gland

## ACCESSORIES

Model	Description
A-AVLV-LCD	Field upgradeable display
A-AVLV-MTG	Replacement duct mount plate assembly



# TECHMARK

— Industriesteuerungen GmbH — <http://www.techmark.de> — e-mail: [info@techmark.de](mailto:info@techmark.de) —

Kirschstrasse 20 • D-80999 München • Telefon (+49-89) 89.26.57-0 • Telefax (+49-89) 89.26.57-33