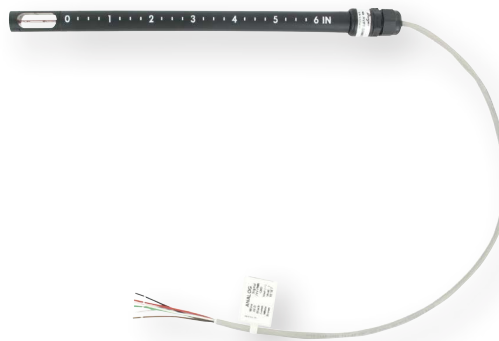




Pencil Style Air Velocity Transmitter

TMF-AVPT



FEATURES/BENEFITS

- Sensing elements have been coated with an engineered conformal coating to ensure durability and longevity
- Varying lengths for easy installation
- Functionality at temperatures below freezing

APPLICATIONS

- VAV systems
- Building ducts

DESCRIPTION

The **Series AVPT Pencil Style Air Velocity Transmitter** uses thermal anemometer technology to provide high accuracy and stable air velocity measurements in imperial and metric units. The Series AVPT can be configured with either a voltage output or BACnet MS/TP communication to provide universal inputs to a variety of monitoring equipment. Models are available with fixed cable lengths of 20 or 78 inches with flying leads or a 5-pin M12 connector on a 24 inch cable. Probes are available in lengths of 6 or 12 inches. A mounting flange included with the product provides the ability to vary insertion depth.

Models are available in 3% or 5% accuracy to suit a variety of applications, while the optional BACnet MS/TP communication protocol allows units to be daisy-chained to provide access to all of the velocity and temperature measurements.

All specifications are subject to change without notice.



TECHMARK

— Industriesteuerungen GmbH — <http://www.techmark.de> — e-mail: info@techmark.de —
Kirschstrasse 20 • D-80999 München • Telefon (+49-89) 89.26.57-0 • Telefax (+49-89) 89.26.57-33



Pencil Style Air Velocity Transmitter

TMF-AVPT

SPECIFICATIONS

Service	Clean air.
Ranges	1000, 2000, 3000, or 4000 FPM (5, 10, 15, or 20 m/s); Model specific.
Accuracy	Standard: $\pm(5\%$ reading +40 FPM); High Accuracy: $\pm(3\%$ reading +40 FPM); Model specific.
Power Requirements	24 VAC/VDC $\pm 20\%$.
Current Consumption	<50mA.
Outputs	Analog: 0-10 V (0-5 V configurable). BACnet MS/TP: Selectable at time of order.
Supported Baud Rate	9600, 19200, 38400, 57600, 76800, and 115200.
Voltage Output Load Resistance	10k Ω minimum (10 V output with AC supply); 1k Ω minimum all other conditions.
Electrical Connection	Cable: Plenum rated cable with 22 AWG conductors; 5-Conductor Cable whip: 20" (0.5 m) or 78" (2 m); 5-pin M-12: 24" (0.6 m); Model specific.
Response Time (90%)	4 s, typical.
Operational Temperature Limits	-4 to 140°F (-20 to 60°C).
Storage Temperature Limits	-40 to 140°F (-40 to 60°C).
Probe Length	6" or 12"; Model specific.
Enclosure Rating	NEMA 3.
Mounting Orientation	Flow direction must be parallel to the sensor tip; See Installation section for details.
Weight	1.4 oz (40g); based on M12 connection with 12" probe length.
Agency Approvals	CE, RCM, BTL, UL plenum rated (UL tested).



TECHMARK

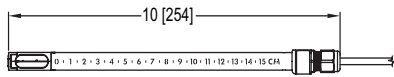
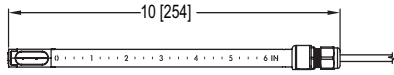
— Industriesteuerungen GmbH — <http://www.techmark.de> — e-mail: info@techmark.de —
Kirschstrasse 20 • D-80999 München • Telefon (+49-89) 89.26.57-0 • Telefax (+49-89) 89.26.57-33



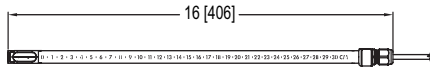
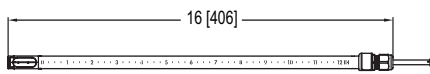
Pencil Style Air Velocity Transmitter

TMF-AVPT

DIMENSIONS

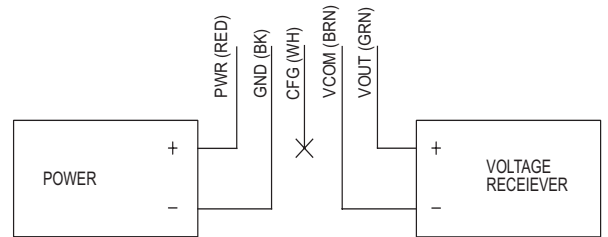


6" probe length

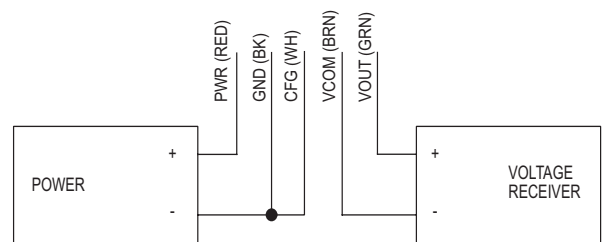


12" probe length

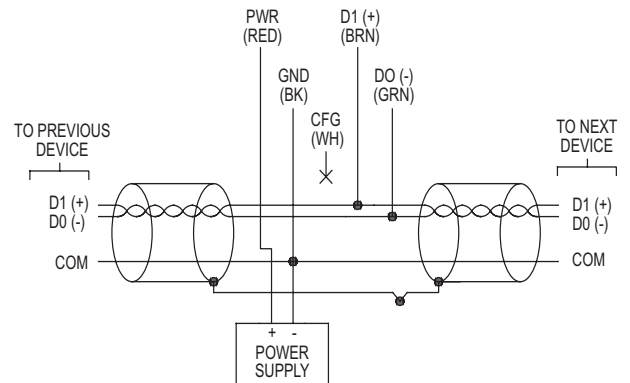
WIRING DIAGRAM



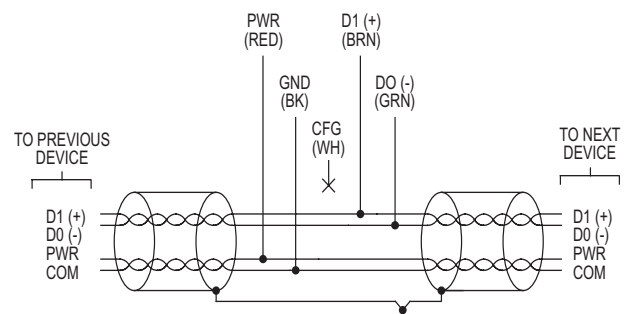
10 V output wiring



5 V output wiring



Local power supply



Common power supply



TECHMARK

— Industriesteuerungen GmbH — <http://www.techmark.de> — e-mail: info@techmark.de —

Kirschstrasse 20 • D-80999 München • Telefon (+49-89) 89.26.57-0 • Telefax (+49-89) 89.26.57-33

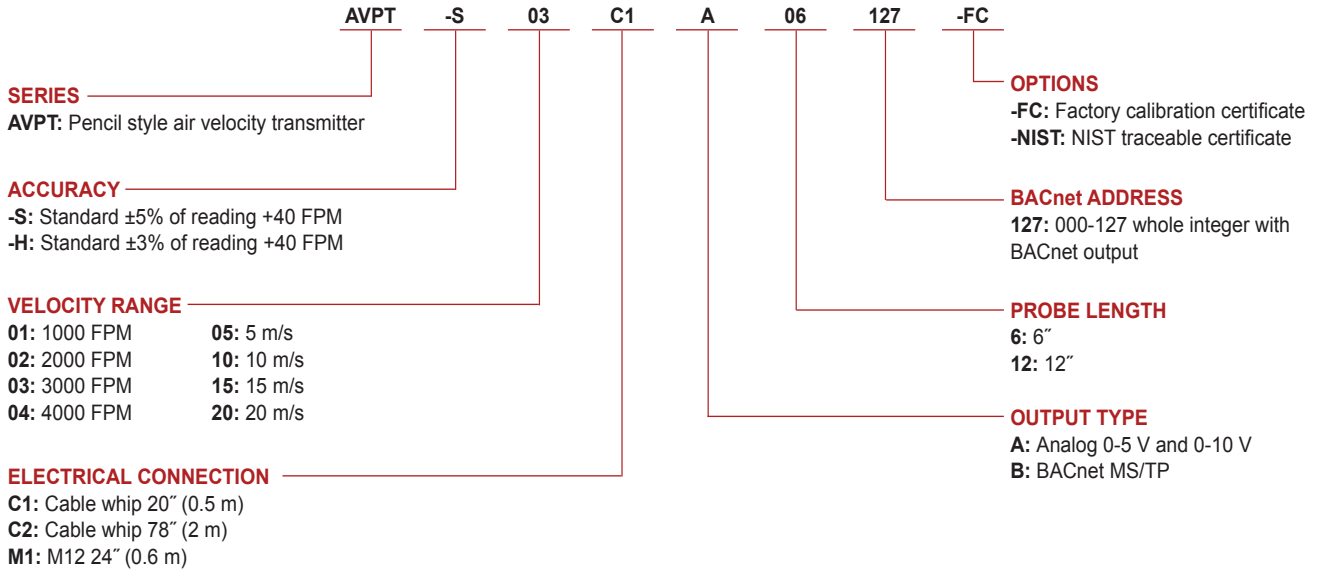


Pencil Style Air Velocity Transmitter

TMF-AVPT

HOW TO ORDER

Use the **bold** characters from the chart below to construct a product code.



ACCESSORIES

Model	Description
SCD-PS	100 to 240 VAC/VDC to 24 VDC power supply
A-AVUL-MTG	Replacement mounting flange
A-AVUL-QFG	Quick fix cable gland for outside the duct installation



TECHMARK

— Industriesteuerungen GmbH — <http://www.techmark.de> — e-mail: info@techmark.de —
Kirschstrasse 20 • D-80999 München • Telefon (+49-89) 89.26.57-0 • Telefax (+49-89) 89.26.57-33