



Vane Thermo-Anemometer

TMF-VT200

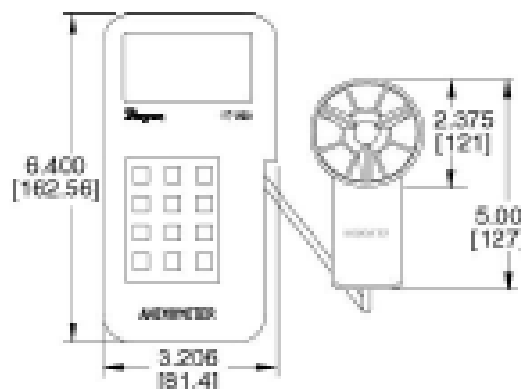
Model TMF-VT-200 Vane Thermo-Anemometer is ideal for balancing air conditioning and heating ducts or checking the operation of fans and blowers. Model TMF-VT-200 measures air volume in cubic feet per minute and cubic meters per minute. Air velocity measurements can be viewed in ft/min, m/s, knots, km/hr, and mph with $\pm 3\%$ accuracy. The multifunction LCD can simultaneously display air velocity and temperature in selectable units or air flow and air area. Built-in datalogger can store up to 1000 measurements or transfer the data to a PC via RS-232 communication. Additional features include data hold and record/recall minimum, maximum and average readings. Model TMF-VT-200 includes RS-232 interface, PC Windows software, cable, 9V battery, carrying case, and instruction manual.



Specifications

Air Velocity Ranges:	0.3 to 45 m/s; 0.7 to 100 mph; 0.6 to 88.0 knots; 1 to 140.0 km/hr; 60 to 8,800 ft/min.
Temperature Range:	32 to 122°F (0 to 50°C).
Air Volume Ranges:	CFM (ft ³ /min) or CMM (m ³ /min).
Accuracy:	Air Velocity: $\pm 3\%$ of reading ± 0.1 , whichever is greater; Temperature: $\pm 1.5^\circ\text{F}$ ($\pm 0.8^\circ\text{C}$).
Resolution:	0.1 knots, m/s, km/hr, and mph; 0.1/1 ft/min; 0.1°C.
Temperature Sensor:	Type K thermocouple.
Temperature Limits:	32 to 140°F (0 to 60°C).
Display:	Dual line, 4-digit, 1.1" (27.9 mm) height.
Power:	9V alkaline battery (included). Battery Life: Approx. 50 hours.
Output:	RS232 serial interface via DB9 female connector.
Housing:	ABS plastic, 1" (25 mm) diameter.
Weight:	12.3 oz (350 g).

Dimensions



All specifications are subject to change without notice



TECHMARK

— Industriesteuerungen GmbH — <http://www.techmark.de> — e-mail: info@techmark.de —
Kirschstrasse 20 • D-80999 München • Telefon (+49-89) 89.26.57-0 • Telefax (+49-89) 89.26.57-33