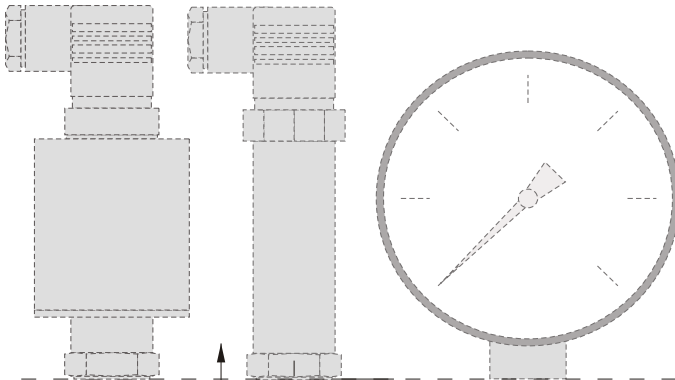


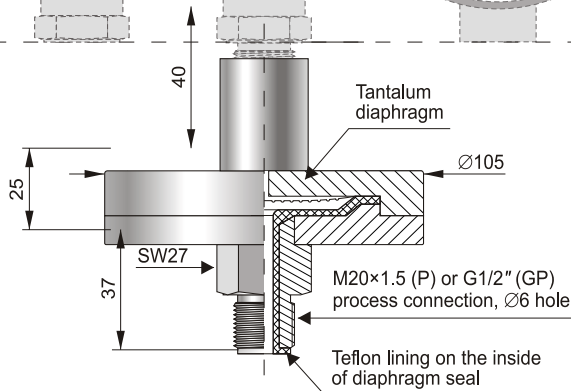


Threaded chemical seal with large diaphragm

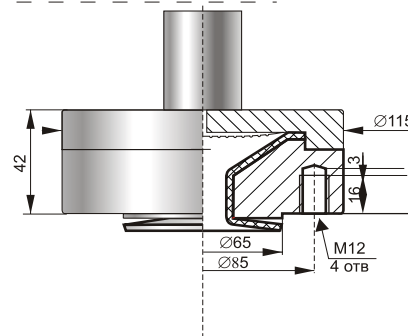
TM-AP-S-CompCh



- ✓ Measurement the pressure of hydrochloric, sulphuric and nitric acids in any concentration
- ✓ Measurement the pressure of chlorine



Version with M20x1,5 process connection



Version with process connection size DN25

Application

S-CompCh seals are applicable for measuring the pressure of corrosive media. The wetted parts of the diaphragm seal are made of Teflon and tantalum. Several corrosive chemicals, except for hydrofluoric acid, gaseous fluorine and soda lye, can be measured.

Recommended minimum measuring range (bar), depending on the type of the set: pressure measuring device - diaphragm seal

Diaphragm seal type	Transmitter	Gauge Ø100
direct	0.4	6
remote	1	6

Additional absolute zero error resulting from ambient temperature fluctuations, depending on the type of the set: pressure transmitter - diaphragm seal

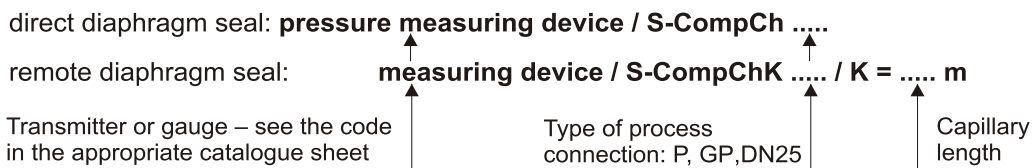
direct diaphragm seal: 1 mbar / 10°C

remote diaphragm seal (2m capillary): 6 mbar / 10°C

An additional zero error, resulting from temperature fluctuations in a medium, depends on the temperature gradient in the oil-based diaphragm sealing system. The error value is, in any case, significantly smaller than the error value shown above.

Maximum measuring range 0...16 bar
 Over pressure limit 25 bar
 Medium temperature range -30...100°C

Ordering procedure



Example: APCE-2000PZ- pressure transmitter, nominal measuring range 0÷7 bar, threaded chemical seal with large diaphragm, GP process connection G1/2".

APCE-2000PZ / 0 ÷ 7 bar / S-CompCh GP



TECHMARK

— Industriesteuerungen GmbH — <http://www.techmark.de> — e-mail: info@techmark.de —

Kirschstrasse 20 • D-80999 München • Telefon (+49-89) 89.26.57-0 • Telefax (+49-89) 89.26.57-33