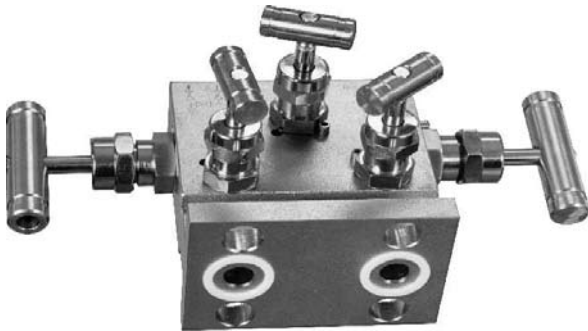


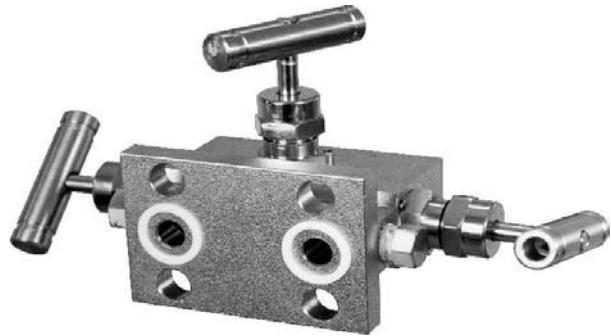


VM-3 and VM-5 valve manifolds

✓ Body material – steel (316 ss)



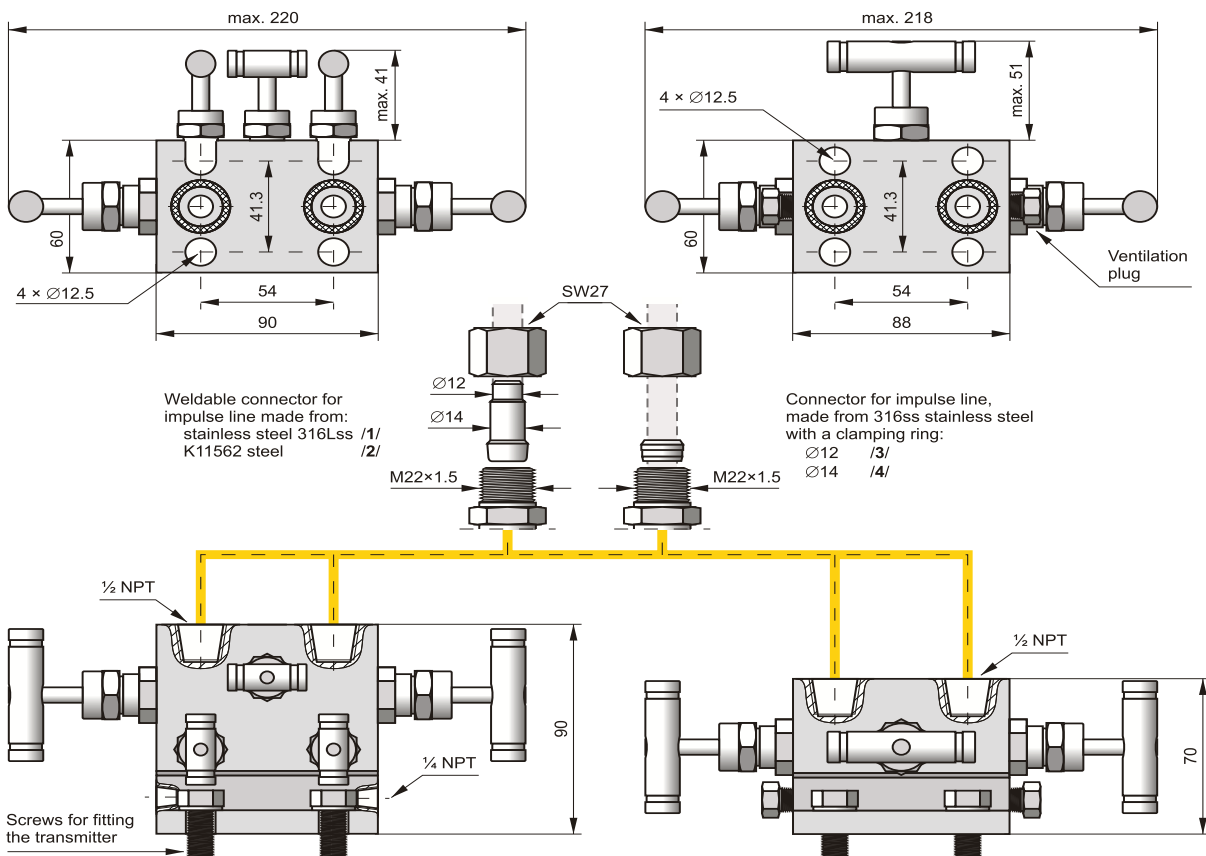
VM-5 valve



VM-3 valve

Features

3-valve and 5-valve manifolds are used where relative pressure transmitters are installed. They enable essential operations to be performed on the transmitters, such as starting up a transmitter or setting the zero position in conditions of static or atmospheric pressure. The five-valve manifold also enables a calibrator to be connected for metrological testing of the transmitter. The VM-3 and VM-5 have a modern lightweight construction. The high precision of manufacture enables individual valves to be opened and closed easily.





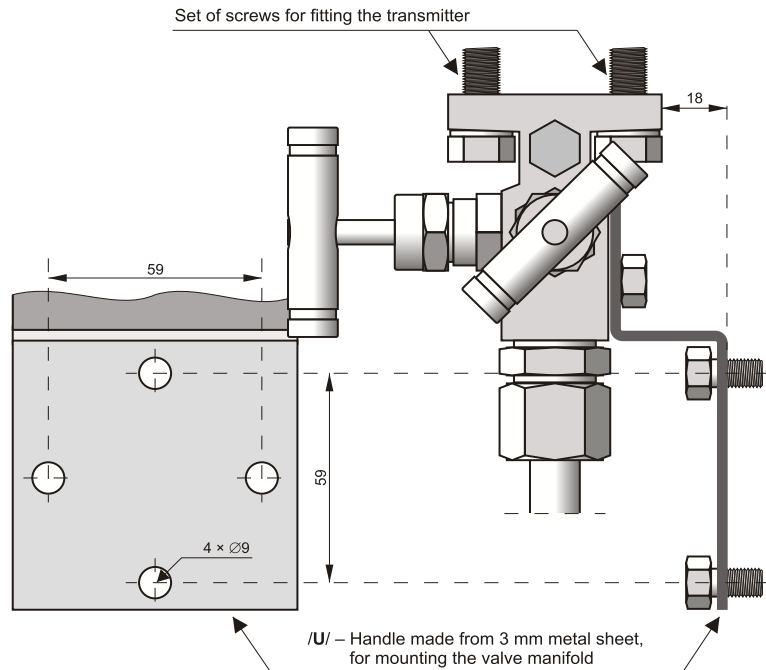
3- and 5- valve manifolds

TM-AP-V

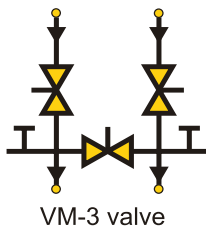
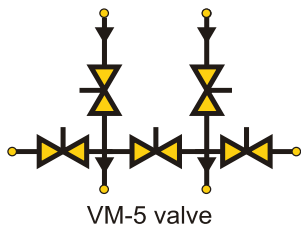
Technical parameters

- Maximum pressure** 400 bar (according to the graph)
- Pin packing** PTFE or graphite
- Body material** 316ss
- Weight:** VM-3 1.8 kg, VM-5 2.54 kg
- Connectors:**
 - to the installation – 1/2 NPT sockets
 - to the transmitter – 54 mm spacing

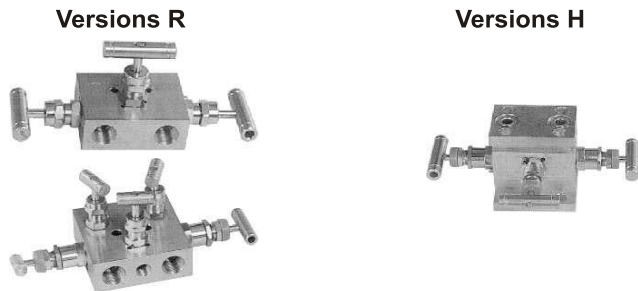
Example of installation of the VM-3 with fitting accessories



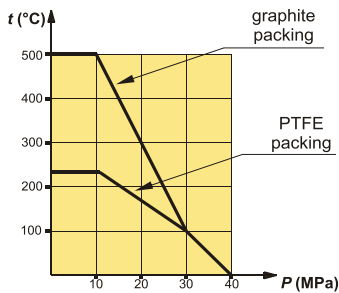
Connection diagrams



Special versions



Operating pressure range as a function of temperature



Recommendations concerning selection of valves

The standard versions of the valves have Teflon pin packing; a special version is available with graphite packing. The special version should be used only when the valves operate at temperatures in excess of 200°C.

The valve manifold is supplied with seals for the collar-type output points. To order, it can be supplied additionally with a set of M10 or 7/16" (stainless steel) screws for fitting the transmitter, connectors for impulse lines and a sheet-metal handle used to mount the valve on the construction.

Ordering procedure

Valve manifolds:
 3-valve – VM-3 / / /
 5-valve – VM-5 / / / / /
 Special versions:
 H – constructional versions (only VM-3)
 R – constructional versions
 Graphite – graphite pin packing
 Tlen – valve adapted to contact with oxygen

Code	Product
A	Set of M10 screws for fitting the transmitter
B	Set of 7/16" x 25 mm screws for fitting the transmitter
C	Set of 7/16" x 55 mm screws for fitting the transmitter with covers type COPLANAR
1	Set of weldable stainless steel connectors (316ss)
2	Set of weldable steel connectors (K11562)
3	Set of connectors with Ø12 clamping ring
4	Set of connectors with Ø14 clamping ring
U	Handle for mounting the valve

Additional equipment – description:



TECHMARK

— Industriesteuerungen GmbH — <http://www.techmark.de> — e-mail: info@techmark.de —

Kirschstrasse 20 • D-80999 München • Telefon (+49-89) 89.26.57-0 • Telefax (+49-89) 89.26.57-33