



## Differential Pressure Switch

## TMK-UL

The Series TMK-UL Adjustable Differential Pressure Switch is designed for pressure, vacuum, and differential pressures. The dual scaled adjustment knob in inches water column and pascals allows changes to the switching pressure to be made without a pressure gage. The TMK-UL is available with settings from 0.08" w.c. (20 Pa) up to 16" w.c. (4000 Pa). The silicone diaphragm and PA 6.6 body make the series TMK-UL ideal for use with air and other noncombustible gases. The compact size, adjustment knob and meeting the UL508 standard make the EDPS the perfect choice for H.V.A.C. applications.

### Product Applications

- Monitoring air filters and ventilators.
- Monitoring industrial cooling-air circuits.
- Overheating protection for fan heaters.
- Monitoring flows in ventilation ducts.
- Controlling air and fire-protection dampers.
- Frost protection for heat exchanges.



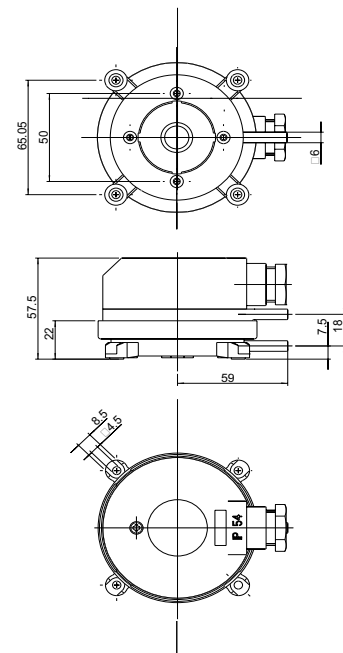
### Specifications

Service:	Air and noncombustible, compatible gases.
Materials:	Diaphragm Material: Silicone. Housing Material: Switch Body: PA 6.6, Cover: Polystyrene. Materials UL94 V0 Rated.
Temperature Limits:	Process ambient temperature from -4 to 140°F (-20 to 60°C).
Pressure Limits:	Max. Operating Pressure: 40" w.c. (10 kPa) for all pressure ranges.
Proof Pressure:	10 kPa
Switch Type:	Single-pole double-throw (SPDT).
Electrical Rating:	Max. 1.0 A/250 VAC, 50-60 Hz, max switching rate: 6 cycles/min.
Electrical Connections:	Push-on screw terminals. 1/2" NPT connection. M20x1.5 with cable strain relief optional.
Process Connections:	5/16" (7.94 mm) outside diameter tubing, 1/4" (6.0 mm) inside diameter
Mounting Orientation:	Vertically, with pressure connections pointing downwards.
Mechanical Working Life:	Over 10 <sup>6</sup> switching operations.
Weight:	5.6 oz (160 g).
Enclosure Rating:	NEMA 13 (IP54).
Agency Approvals:	CE; ETL approved to UL508 and CSA C22.2#14.

### Table of Ranges

Model	Range	Hysteresis	Repeatability
TMK-UL-0	20 - 200 Pa	10 Pa	± 5%, min. ± 5 Pa
TMK-UL-0b	20 - 300 Pa	10 Pa	± 5%, min. ± 5 Pa
TMK-UL-1	30 - 400 Pa	15 Pa	± 5%, min. ± 5 Pa
TMK-UL-3	50 - 500 Pa	20 Pa	± 2,5%, min. ± 5 Pa
TMK-UL-4	0,2 - 1,0 kPa	100 Pa	± 1%, min. ± 5 Pa
TMK-UL-4b	0,1 - 1,0 kPa	100 Pa	± 1%, min. ± 5 Pa
TMK-UL-5	0,5 - 2,5 kPa	150 Pa	± 1%
TMK-UL-6	1,0 - 5,0 kPa	250 Pa	± 1%
TMK-UL-6b	1,0 - 4,0 kPa	250 Pa	± 1%

### Dimensions



All specifications are subject to change without notice



# TECHMARK

— Industriesteuerungen GmbH — <http://www.techmark.de> — e-mail: [info@techmark.de](mailto:info@techmark.de) —

Kirschstrasse 20 • D-80999 München • Telefon (+49-89) 89.26.57-0 • Telefax (+49-89) 89.26.57-33