



Differential pressure transmitter

TM 169A

The differential pressure transmitters of the TM 169A series are used to measure differential pressure, overpressure and vacuum. There are ranges from 0-25 Pa up to 0-250 kPa available. They provide 2 pressure ranges and 2 output signals, which are selectable using a jumper. For optimum adaptation to the pressure application, the transmitter can be switched between two pressure ranges. The factory setting is the sensitive range 1, which is selected by fitting a jumper. Removing the jumper activates the non-sensitive range 2.

The shape of the output signal can be switched from linear to square root using a jumper in order to measure the volume flow via a differential pressure.



Specifications

Service	air and non-corrosive gases
Linearity and hysteresis error	$\leq \pm 1\%$ F.S.
Temperature	0 - 50°C
Storage temperature	-10 .. 70 °C
Long term stability, typical	$\leq \pm 0,5\%$ to $\pm 2,5\%$ F.S. / year
Repeatability	$\leq \pm 0,2\%$ F.S.
Position dependence	$\leq \pm 0,02\%$ F.S. / g
Humidity	0 ... 95 % rel, non condensing
Response time, adjust.	100 ms or 1 s
Power supply	24 VAC/DC
Output signal	0 - 10 V or 4-20 mA, 3-wire version
Load at 4-20 mA	20 - 500 Ohm
Protection	IP65
Process connection	6 mm tubing connection
Electrical connection	Screw terminal block for wires and strands up to 1.5 mm ²
Enclosure mounting	Wall mounting
Enclosure material	ABS
Weight	approx. 145 g
Cable entry	M12 x 1,5 cable gland
Display, optional:	red LED-display, 4-digit

Ranges

Model	Ranges	Proof Pressure	Burst Pressure	Temperature error
TM 169A-0	0-25/50 Pa	20 kPa	40 kPa	$\leq \pm 5\%$ v. EW
TM 169A-1	0-50/100 Pa	20 kPa	40 kPa	$\leq \pm 5\%$ v. EW
TM 169A-2	0-100/250 Pa	20 kPa	40 kPa	$\leq \pm 2,5\%$ v. EW
TM 169A-3	0-250/500 Pa	20 kPa	40 kPa	$\leq \pm 2,5\%$ v. EW
TM 169A-4	0-500/1000 Pa	20 kPa	40 kPa	$\leq \pm 1,5\%$ v. EW
TM 169A-5	0-1/2,5 kPa	40 kPa	70 kPa	$\leq \pm 1\%$ v. EW
TM 169A-7	0-5/10 kPa	60 kPa	120 kPa	$\leq \pm 1\%$ v. EW
TM 169A-9	0-25/50 kPa	300 kPa	500 kPa	$\leq \pm 1\%$ v. EW
TM 169A-B	0-100/250 kPa	1200 kPa	2000 kPa	$\leq \pm 1\%$ v. EW

All specifications are subject to change without notice.



TECHMARK

— Industriesteuerungen GmbH — <http://www.techmark.de> — e-mail: info@techmark.de —

Kirschstrasse 20 • D-80999 München • Telefon (+49-89) 89.26.57-0 • Telefax (+49-89) 89.26.57-33



Differential pressure transmitter

TM 169A

Output signals

Signal

Suffix

0-10 VDC or 4-20 mA, 3-wire version.....-7
4-20 mA or 0-10 VDC, 3-wire version-D

Figures in bold are presetted by the factory

Option

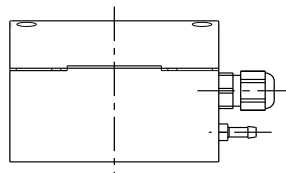
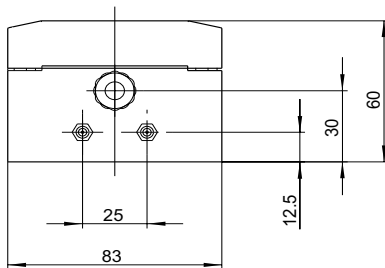
LED-Display.....-LED

Example:

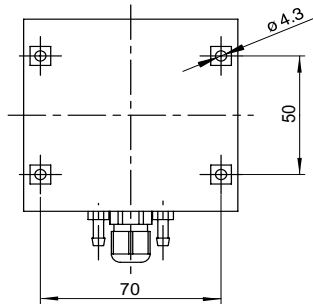
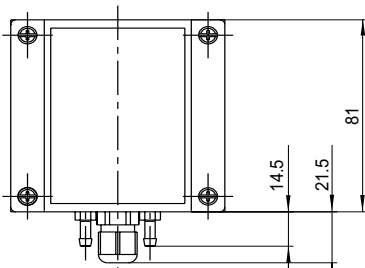
Order code: TM 169A-4-D-LED = Range: 0-500/1000 Pa, 4-20 mA, 3-wire, with LED-display

Dimensions and terminal assignments

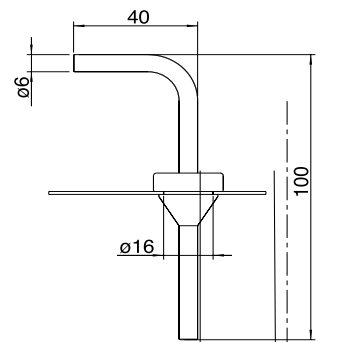
TM 169A



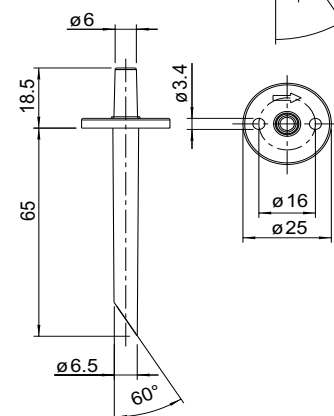
Bohrschablone



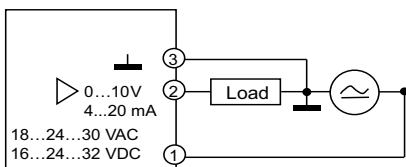
TMK-Klimaset



TMK-Klimaset



Klemmenbelegung
3-Leiter-Ausführung



3	GO	Masse GND
2	Y	Ausgangssignal 0 ... 10 V/4 ... 20 mA
1	G	Versorgungsspannung 24 VAC/ VDC

All specifications are subject to change without notice.



TECHMARK

— Industriesteuerungen GmbH — <http://www.techmark.de> — e-mail: info@techmark.de —

Kirschstrasse 20 • D-80999 München • Telefon (+49-89) 89.26.57-0 • Telefax (+49-89) 89.26.57-33