



Fluidizer Disk

TMN-FD

The Model TMN-FD Fluidizer Disk combines aeration and vibration to solve the most difficult bulk solid flow applications. The special design creates a vibration as the air flows between the pads boot and bin wall. This provides a very effective flow aid for all types of dry products. Plus the TMN-FD does not require a specific air pressure for operation. Your pneumatic system pressure can range from 29 to 87 psi.

Features

- Self cleaning
- Abrasion-resistant
- Easy to install
- Food grade
- Economical

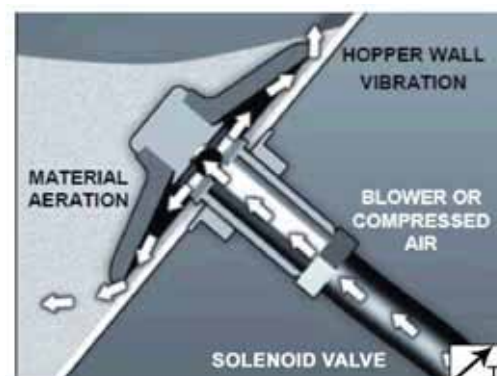
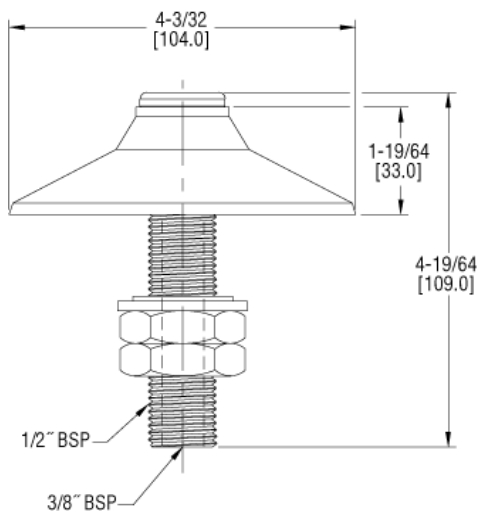


Specifications

Temperature Limits: -40 to 340°F (-40 to 170°C).
Air Supply: 29 to 87 psi (2 to 6 bar).
Air Consumption: See Catalog page.
Air Connection: 3/8" female BSP and 1/2" male BSP.
Material: Disk: Silicon 50 SH (A) Elastosil (FDA approved);
Center Shaft: 304 SS;
Sealing Washer: EPDM;
Flat Washer: Galvanized steel;
Hexagonal Nuts: Nickel plated brass.
Weight: 7.9 oz (0.23 kg).

Modell	Luftverbrauch					
	29 psi (2 bar)		58 psi (4 bar)		87 psi (6 bar)	
	LPM	CFM	LPM	CFM	LPM	CFM
TMN-FD	100	3.53	150	5.29	250	8.82

Dimensions



All specifications are subject to change without notice



TECHMARK

— Industriesteuerungen GmbH — <http://www.techmark.de> — e-mail: info@techmark.de —

Kirschstrasse 20 • D-80999 München • Telefon (+49-89) 89.26.57-0 • Telefax (+49-89) 89.26.57-33