



Micro Fluidizer Disk

TMN-MFD

The Model TMN-MFD Micro Fluidizer Disk combines aeration and vibration to solve the most difficult bulk solid flow applications. The micro disk is half the size of standard disk, capable of fitting into tight locations. The special design creates a vibration as the air flows between the pads boot and bin wall. This provides a very effective flow aid for all types of dry products. Plus the TMN-MFD does not require a specific air pressure for operation. Your pneumatic system pressure can range from 29 to 87 psi.



Features

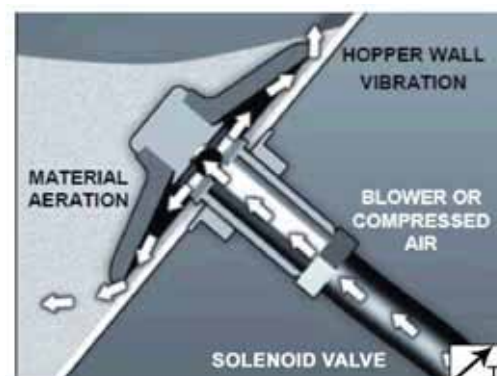
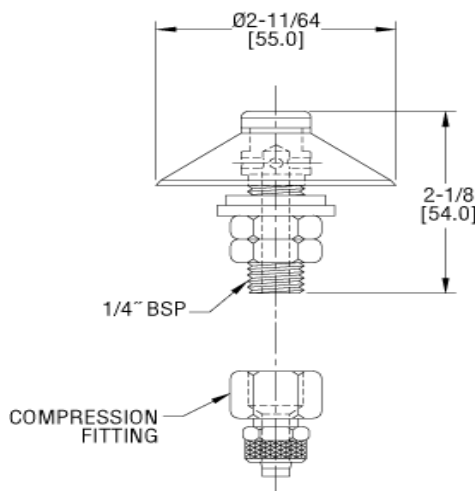
- Self cleaning
- Abrasion-resistant
- Easy to install
- Food grade
- Economical

Specifications

Temperature Limits: -40 to 340°F (-40 to 170°C).
 Air Supply: 29 to 87 psi (2 to 6 bar).
 Air Consumption: See Catalog page.
 Air Connection: 1/4" male BSP, 1/4" ID compression fitting.
 Material: Disk: Polyurethane SintUp 70A (FDA approved);
 Center Shaft: Aluminum;
 Sealing Washer: EPDM;
 Flat Washer: Galvanized steel;
 Hexagonal Nuts: Nickel plated brass.
 Weight: 2.5 oz (0.07 kg).

Modell	Luftverbrauch					
	29 psi (2 bar)		58 psi (4 bar)		87 psi (6 bar)	
	LPM	CFM	LPM	CFM	LPM	CFM
TMN-MFD	70	2.47	90	3.17	120	4.23

Dimensions



All specifications are subject to change without notice



TECHMARK

— Industriesteuerungen GmbH — <http://www.techmark.de> — e-mail: info@techmark.de —

Kirschstrasse 20 • D-80999 München • Telefon (+49-89) 89.26.57-0 • Telefax (+49-89) 89.26.57-33