



Liquid Level Transmitter for vertical mounting

TM-DEE-LVCS-C

The liquid level transmitter TM-DEE-LVCS-C bases on the TM-DEE-LVCS transmitter and are only customized.

Specifications

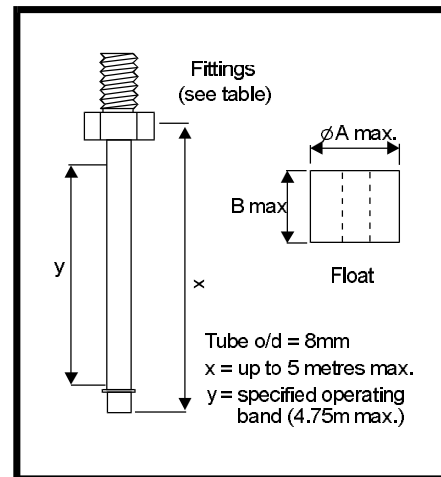
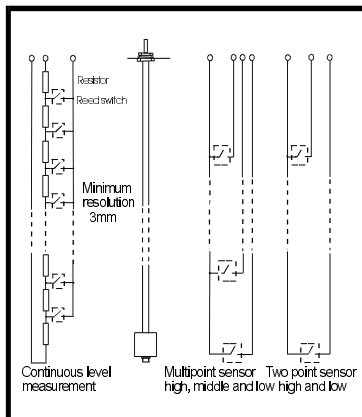
Stem Material PVC, ABS & Stainless Steel
 Fittings All std. sizes flanged and hex
 Switch contact ratings 0.25W - 70W*
 (Resistive load)

* Higher capacities can be accommodated
 Above 70W the tube diameter is larger contact the sales office for details



FLOAT DATA**	Nylon	Polypropylene	Stainless Steel
Suitable specific gravity	0.7	0.6	0.8
Maximum Pressure	400 KPa	400 KPa	consult - sales office
Operating Temperature ¹	0° - 80°C	0° - 100°C	0° - 200°C
Dimensions A	26.98mm	26.98mm	30.15mm
Dimensions B	25.4mm	25.4mm	26.98mm

** Other float materials available: PVC, Buna N etc.
¹ Lower temperature ranges are available 8mm dia. stem only



All specifications are subject to change without notice



TECHMARK

— Industriesteuerungen GmbH — <http://www.techmark.de> — e-mail: info@techmark.de —
 Kirschstrasse 20 • D-80999 München • Telefon (+49-89) 89.26.57-0 • Telefax (+49-89) 89.26.57-33