



Vertical Stainless Steel Liquid Level Sensors

TM-DEE-DE70

Small side mounting vertically liquid level sensor designed for high temperature/high pressure operation and sensing chemically aggressive liquids. The design provides a cost effective solution where high reliability in a demanding environment is called for. Ideal for applications in food, automotive, pharmaceutical and chemical industries.



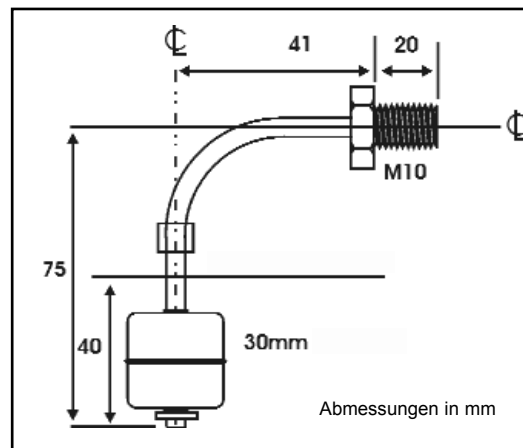
Specifications

Suitable Specific Gravity	0.8
Maximum Pressure	10 bar
Operating Temperature	-20°C to +200°C
Cable length*	1 metre
Cable type	Black P.T.F.E insulated 7/0.2mm rated 6A at 250vAC
Weight	30g
Tank Wall thickness	5 mm max.
Mounting	M10 x 20mm
Wetted Materials	316 Stainless Steel
Rating	„-C“: SPDT, 10 W max bei 60 VDC, 1,0 A max. „-50“: SPST, 50 W max. bei 240 VAC, 1,0 A max., Contact „C“ is only available with 10 W rating

Ordering code:

TM-DEE-DE70-	<input type="checkbox"/>	<input type="checkbox"/>
Contact		Rating
A = SPST		10 = 10 W
C = SPDT		50 = 50 W

Dimensions



All specifications are subject to change without notice



TECHMARK

— Industriesteuerungen GmbH — <http://www.techmark.de> — e-mail: info@techmark.de —
Kirschstrasse 20 • D-80999 München • Telefon (+49-89) 89.26.57-0 • Telefax (+49-89) 89.26.57-33