

- Designed for cost sensitive high volume OEM applications.
- High reliability reed switch lifetime of  $5 \times 10^7$  operations.
- Available in PVC, Polypropylene, Nylon and Acetal materials.
- Change switch operation from normally open (N/O) to normally close (N/C) by inverting float on stem.
- Ideal for beverage, automotive and consumer applications.
- A 1 meter cable is provided as standard, for custom cable lengths, contact sales office.

Technical Data

Mechanical	Electrical
M10 or 1/8" NPT Thread • 1 Metre Cable length (custom lengths available) • Maximum pressure 4 Bar • M10 sensors supplied with nut and nitrile washer	Form A (SPST) switch. • 24V DC maximum switching voltage • 0.1A maximum switching current • 1 Watt maximum power • 150V DC breakdown voltage min. • 7/0.2mm PVC insulated cable • 7/0.2mm PTFE insulated cable with Acetal switch

Caution: NPT threads are specified in their reference size.  
 This size does not refer to the physical thread diameter

	PVC	Polypropylene	Nylon	Acetal
<b>Suitable specific gravity</b>	0.63	0.49	0.5	0.62
<b>Operating Temperature</b>	-20°C to + 65°C	-20°C to + 80°C	-20°C to +80°C	-20°C to + 90°C

\*For Chemical resistance data contact the sales office. Higher switch ratings are available.

All specifications are subject to change without notice

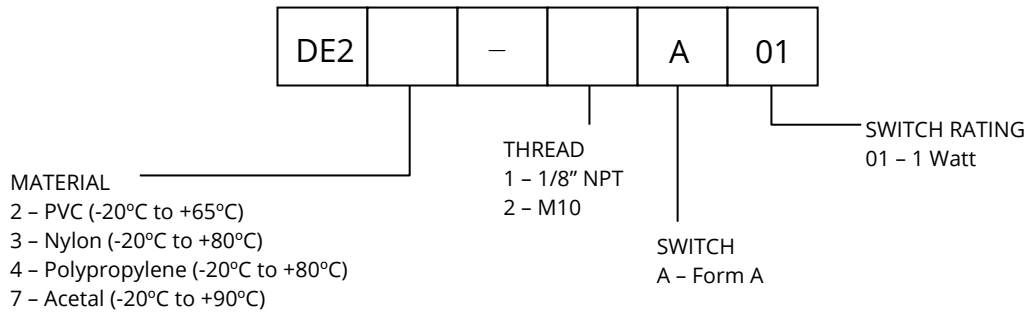


**TECHMARK**

— Industriesteuerungen GmbH — <http://www.techmark.de> — e-mail: [info@techmark.de](mailto:info@techmark.de) —  
 Kirschstrasse 20 • D-80999 München • Telefon (+49-89) 89.26.57-0 • Telefax (+49-89) 89.26.57-33



**Ordering Code**



Example: DE22-2A01 = 20 Series, Material PVC, M10 mounting thread, Form A (SPST), 1 Watt float switch.  
For longer cable lengths, contact the sales office.

Caution: NPT threads are specified in their reference size.  
This size does not refer to the physical thread diameter.

