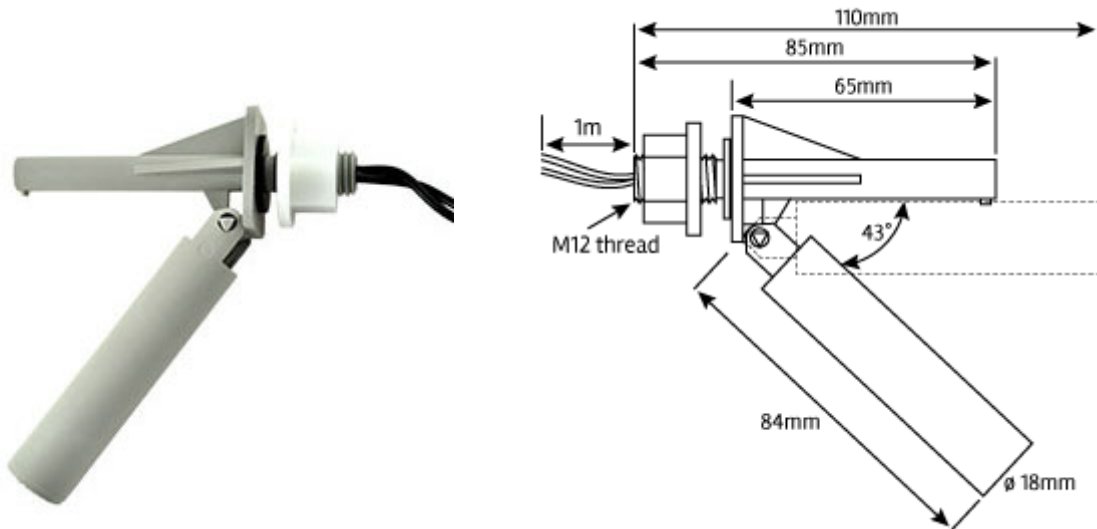




HORIZONTAL LIQUID LEVEL SENSORS

TM-DEE-DE30



- High Power Switching.
- Self cleaning hinge mechanism.
- Suitable for harsh environments.
- Good chemical resistance.
- Wide operating temperature range.
- Change switch operation from normally open (N/O) to normally close (N/C) by rotating the switch so the float is above the centre line.
- The weight of the sensor is approximately 48g.
- A 1 meter PVC cable is provided as standard, for custom cable lengths, contact sales office.

Fixing

	Hole Size	Max. Torque	Max. Wall Thickness
M12	12.5mm	2.5Nm	10mm

*For larger wall thickness contact the sales office for advice

Technical Data

	Nylon	Polypropylene
Suitable specific gravity	0.7	0.7
Maximum Pressure	4 bar	4 bar
Operating Temperature	-20°C to +80°C	-20°C to + 80°C

*For Chemical resistance data contact the sales office. Higher switch ratings are available.

All specifications are subject to change without notice



TECHMARK

— Industriesteuerungen GmbH — <http://www.techmark.de> — e-mail: info@techmark.de —

Kirschstrasse 20 • D-80999 München • Telefon (+49-89) 89.26.57-0 • Telefax (+49-89) 89.26.57-33



HORIZONTAL LIQUID LEVEL SENSORS

TM-DEE-DE30

Ordering Code

DE3		-	90A
-----	--	---	-----

Material
3 - Nylon
4 - Polypropylene

Example: DE33-90A = 30 Series, Material Nylon, Form A SPST, 90 Watt float switch.

Switch Contact Ratings

90A - 240V AC/DC, 3A, 90W

For AC circuits ensure the peak voltage x current does not exceed the power rating.



TECHMARK

— Industriesteuerungen GmbH — <http://www.techmark.de> — e-mail: info@techmark.de —
Kirschstrasse 20 • D-80999 München • Telefon (+49-89) 89.26.57-0 • Telefax (+49-89) 89.26.57-33